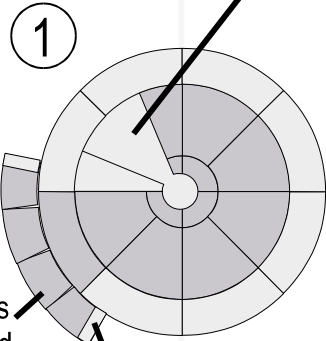
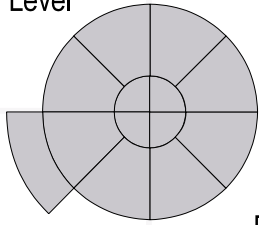


# The 4" Circular Fieldstone Tower

All pieces shown darker are 1/4" thick flat tiles.

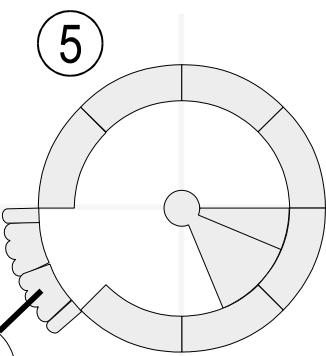
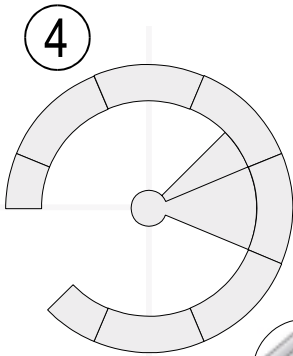
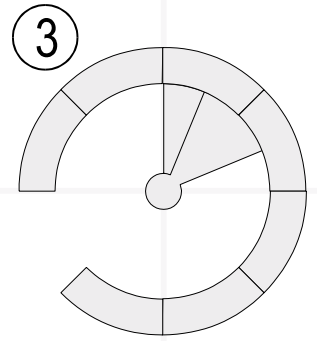
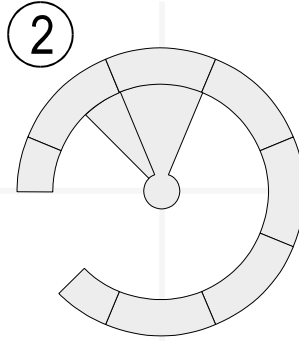
Stair sections for rows 1-7 will stick up 1/4 higher than the outside wall.

Base Level

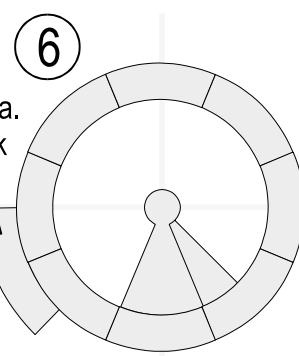


Flat tiles snapped in half

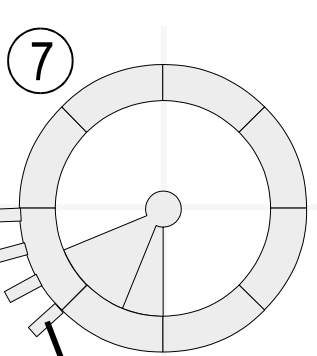
Small center tile on edge



Decorative teeth placed upside down over doorway

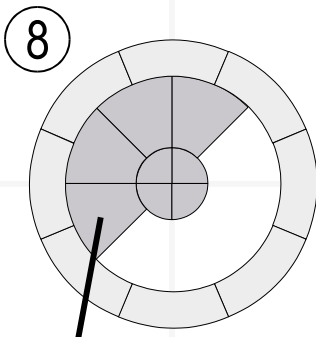


5" dia. block

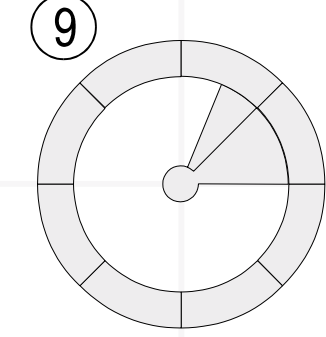


Small center tiles on edge

Stair pieces are optional here. I left them out because they cover the arrow slits and make it difficult to insert miniatures.



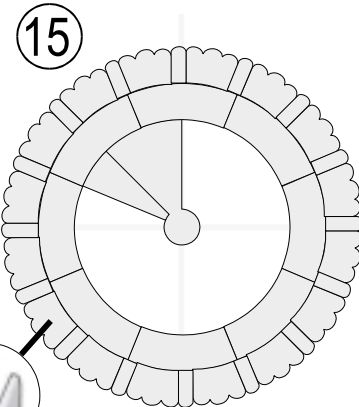
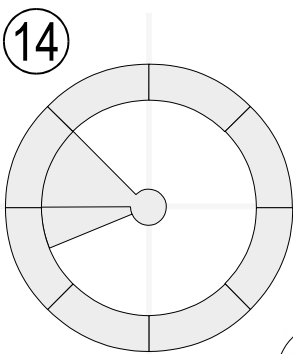
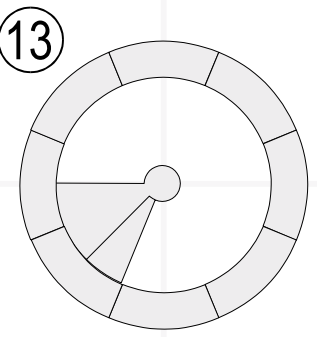
Flat floor tiles. Their top is level with the top of the outside wall



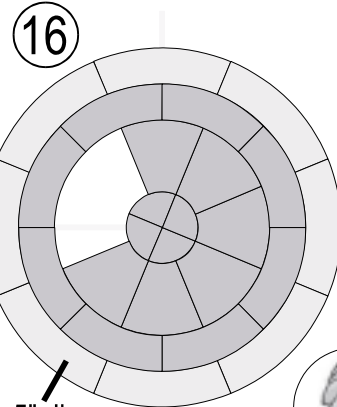
10  
11  
12



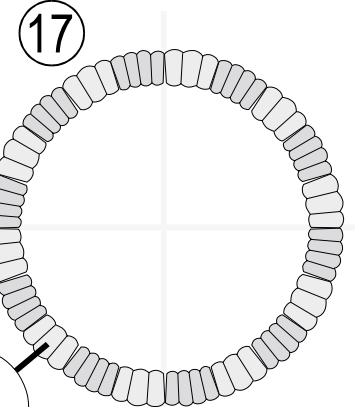
A ring of 16 arrow slit blocks go here



Decorative teeth placed upside down.



5" dia. blocks



Top ring consists of an alternating pattern of round and tall teeth blocks